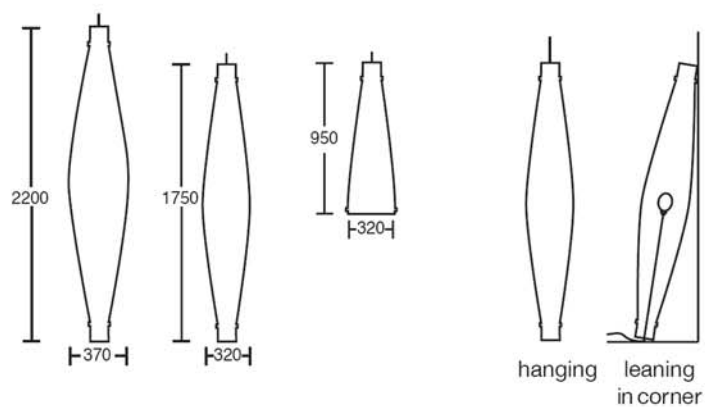


Reed David Trubridge



- O SLIM PENDANT LAMP
- O THREE HANGING SIZES, INCLUDING HALF REED
- O FULL LENGTH MODEL CAN ALSO LEAN IN A CORNER
- O NATURAL FINISH AMERICAN ASH
- O HOOP PINE PLYWOOD
- O TAKES 40W-100W EDISON SCREW BULB (NOT SUPPLIED)
- O SHIPS ASSEMBLED WITH FULL HANGING AND BULB REPLACEMENT INSTRUCTIONS

Variation	Dimensions
medium	1750mm x 320mm
large	2200mm x 370mm
single unit	950mm x 320mm



Materials

Bamboo plywood